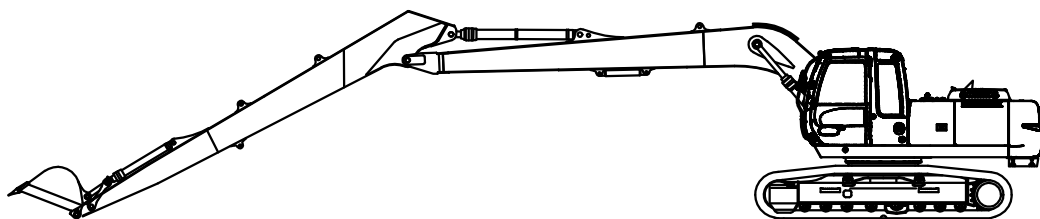


HITACHI ZAXIS210LC LONG REACH H15

engine rated power
101 kW / 137 HP

operating weight
21 700 kg

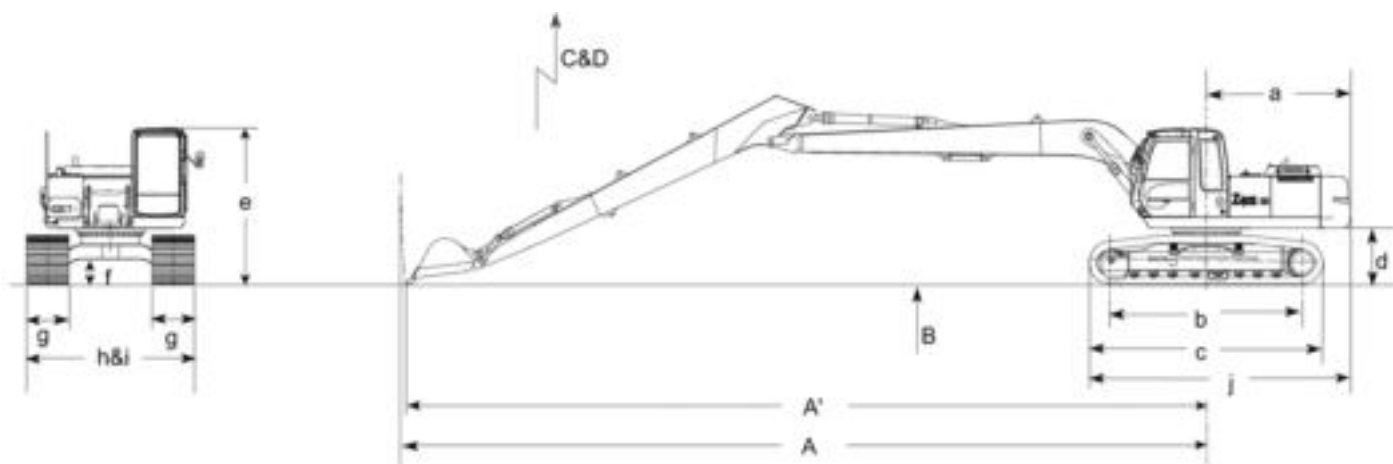
bucket capacity
PCSA heaped : 0.45 m³



HITACHI

TECHNICAL DATA

DIMENSIONS



ZAXIS210LC

| | |
|--|---------------------|
| Front end attachment | Type H15 |
| Bucket capacity | |
| SAE. PCSA heaped | 0.45 m ³ |
| CECE heaped | 0.40 m ³ |
| A Max. digging reach | 15 330 mm |
| A' Max. digging reach on ground | 15 230 mm |
| B Max. digging depth | 11 550 mm |
| C Max. cutting height | 16 600 mm |
| D Max. dumping height | 11 250 mm |
| Max. arm digging force | 47 kN (4 800 kgf) |
| Max. bucket digging force | 83 kN (8 500 kgf) |
| a Rear-end swing radius | 2 750 mm |
| b Distance between tumblers | 3 660 mm |
| c Undercarriage length | 4 460 mm |
| d Counterweight clearance | 1 030 mm |
| e Overall height of the cab | 2 950 mm |
| f Min. ground clearance | 450 mm* |
| g Track shoe width | G800 mm |
| h Undercarriage width | 3 190 mm |
| i Overall width | 3 190 mm |
| j Basic machine length | 4 835 mm |

Unit: mm

G: Triple Grouser shoe

*: Excluding track shoe lug.

TECHNICAL DATA

ENGINE

Model..... Isuzu AA-6BG1T
 Type..... 4-cycle water-cooled, direct injection
 Aspiration Turbocharged, intercooled
 No. of cylinders..... 6
 Rated power
 DIN6271, net P mode : 103 kW (140 HP) at 1 900 min⁻¹(rpm)
 SAE J1349, net P mode : 101 kW (137 HP) at 1 900 min⁻¹ (rpm)
 Maximum torque..... 550 N·m (56 kgf·m) at 1 600 min⁻¹ (rpm)
 Piston displacement 6.494 L
 Bore and stroke 105 mm × 125 mm
 Batteries 2 × 12 V / 97 AH
 Governor Mechanical speed control with stepping motor

HYDRAULIC SYSTEM

- Work mode selector
Digging mode / Attachment mode
- Engine speed sensing system

Main pumps..... 2 variable displacement axial piston pumps
 Max. oil flow 2 × 194 L/m
 Pilot pump 1 gear pump
 Max. oil flow..... 32 L/min.

HYDRAULIC MOTORS

Travel 2 variable displacement axial piston motors
 Swing..... 1 axial piston motor

RELIEF VALVE SETTINGS

Implement circuit 32,3 Mpa (330 kgf/cm²)
 Swing circuit 28,4 Mpa (290 kgf/cm²)
 Travel circuit 34,3 Mpa (350 kgf/cm²)
 Pilot circuit 3,9 Mpa (40 kgf/cm²)
 Power boost 36,3 Mpa (370 kgf/cm²)

HYDRAULIC CYLINDERS

High-strength piston rods and tubes. Cylinder cushion mechanisms provided in boom and arm cylinders to absorb shock at stroke ends.

UPPER STRUCTURE

REVOLVING FRAME

Welded sturdy box construction, using heavy-gauge steel plates for ruggedness. D-section frame for resistance to deformation

SWING MECHANISM

Axial piston motor with planetary reduction gear is bathed in oil. Swing circle is single-row, shear-type ball bearing with induction hardened internal gear. Internal gear and pinion gear are immersed in lubricant. Swing parking brake is spring-set /hydraulic-released disc type.
 Swing speed..... 13.3 min⁻¹ (rpm)

OPERATOR'S CABIN

Independent spacious cabin, 1 005 mm wide by 1 675 mm high, conforming to ISO standards. Reinforced glass windows on 4 sides for visibility. Front windows (upper and lower) can be opened. Reclining seat with armrests; adjustable with or without control levers.

CONTROLS

Pilots controls. Hitachi's original shockless valve and quick warm-up system built in the pilot circuit. Hydraulic warm-up control system for engine and hydraulic oil.

| | |
|---------------------------|---|
| Implement levers | 2 |
| Travel levers with pedals | 2 |

UNDERCARRIAGE

TRACKS

Tractor-type undercarriage. Welded track frame using selected materials. Side frame welded to track frame. Lubricated track rollers, idlers, and sprockets with floating seals. Track shoes with triple grousers made of induction-hardened rolled alloy. Flat and triangular shoes are also available. Heat-treated connecting pins with dirt seals. Hydraulic (grease) track adjusters with shock-absorbing recoil springs.

NUMBERS OF ROLLERS AND SHOES ON EACH SIDE

| | |
|---------------|----|
| Upper rollers | 2 |
| Lower rollers | 8 |
| Track shoes | 49 |
| Track guard | 2 |

TRACTION DEVICE

Each track driven by 2-speed axial piston motor through planetary reduction gear for counterrotation of the tracks. Sprockets are replaceable. Parking brake is spring-set/hydraulic -released disc type. Travel shockless relief valve built in travel motor absorbs shocks when stopping travel. Automatic transmission system: High-Low
 Travel speeds High: 0 to 5.5 km/h
 Low: 0 to 3.6 km/h
 Maximum traction force..... 184 kN (18 800 kgf)
 Gradeability..... 35° (70%) continuous

WEIGHTS AND GROUND PRESSURE

| Shoe type | Shoe width | Operating weight (kg) | Ground pressure |
|----------------|------------|-----------------------|---------------------------------------|
| Triple grouser | 800 mm | 21 700 | 33 kPa (0.34 kgf/cm ²) |
| Triple grouser | 900 mm | 22 050 | 30 kPa (0.31 kgf/cm ²) |

Triple grouser shoe



Boom (with arm cylinder)

| | |
|----------------|----------|
| Overall length | 8 320 mm |
| Overall height | 1 520 mm |
| Overall width | 680 mm |
| Weight | 1 945 kg |

Arm (with bucket cylinder and links)

| | |
|----------------|----------|
| Overall length | 7 400 mm |
| Overall height | 910 mm |
| Overall width | 450 mm |
| Weight | 1 150 kg |

TECHNICAL DATA

BUCKET

Bucket is of welded steel structure. Side clearances adjust mechanism provided on the bucket joint bracket.

| Type | Capacity m ³ (SAE, PCSA) | Width mm | Weight kg | No. of teeth |
|--------------------|---|-------------|--------------|-----------------|
| Backhoe | 0.45 | 850 | 319 | 4 |
| Slope Finishing | 0.4 | 1 500 | 356 | 0 |

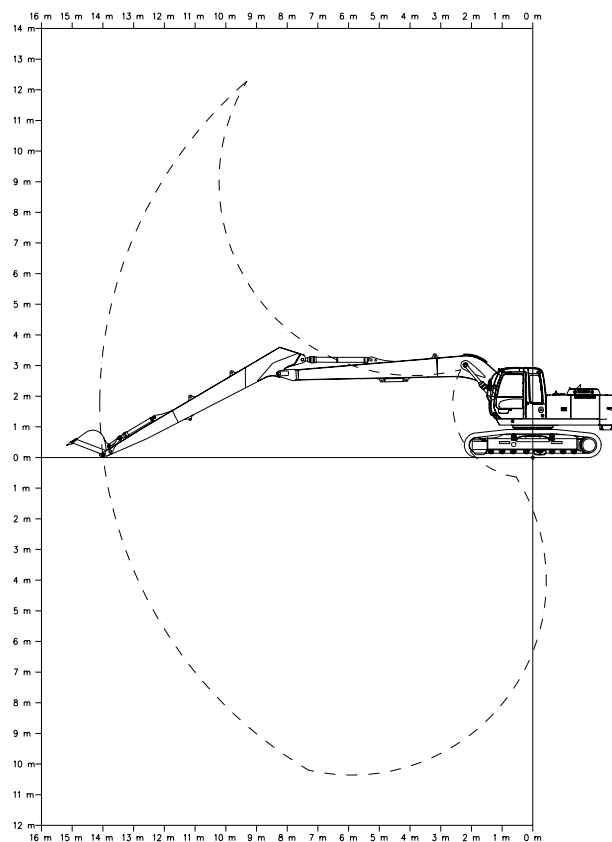
Backhoe bucket



Slope-finishing bucket
(without teeth)



WORKING RANGE



This super-long front attachment is designed and manufactured for light duty work such as dredging rivers and lakes, finishing slope surfaces, excavating heaped soil, etc.. Density of materials is limited up to 1800 kg/m³. Do not use this attachment for general digging operations.

HITACHI CONSTRUCTION MACHINERY (EUROPE) NV

Souvereinstraat 16, 4903 RH, Oosterhout
P.O. 404, 4900 AK Oosterhout
The Netherlands T +31 (0)162 484400, F +31 (0)162 457453
www.hcme.com

These specifications are subject to change without notice. Illustrations and photos show the standard models, and may or may not include optional equipment, accessories, and all standard equipment with some differences in color and features. Before use, go through Operator's Manual for proper operation.
© 2004 Hitachi Construction Machinery (Europe) NV